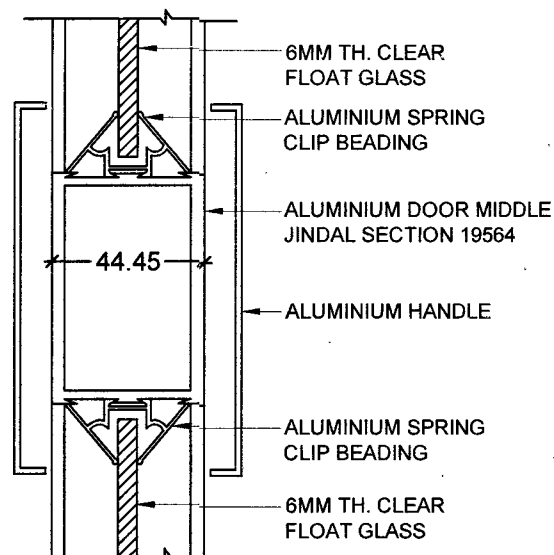
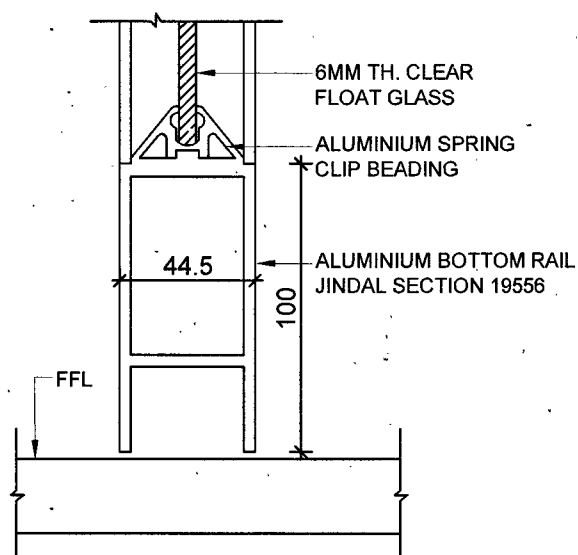


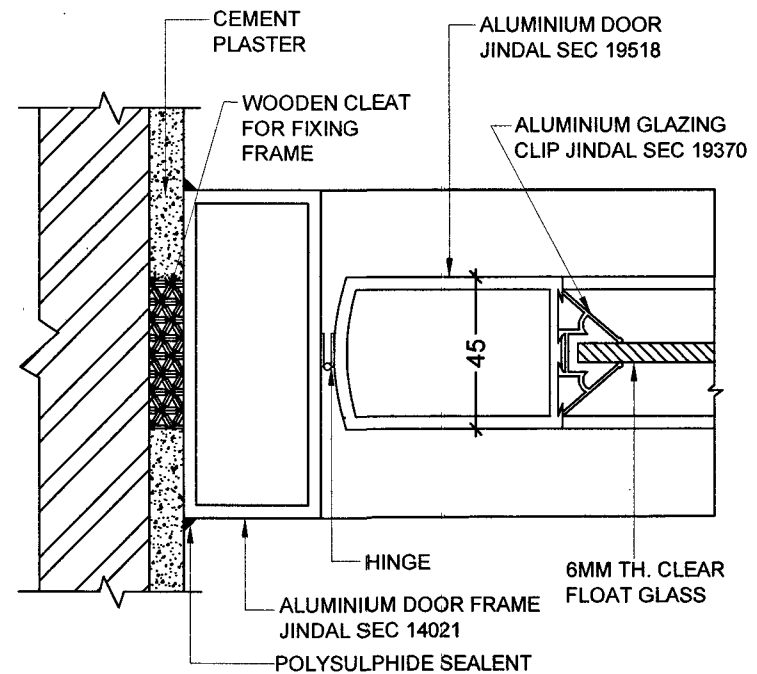
DETAIL AT Y



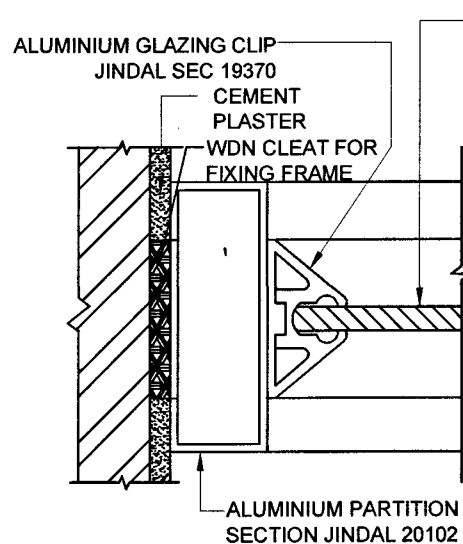
DETAIL AT U



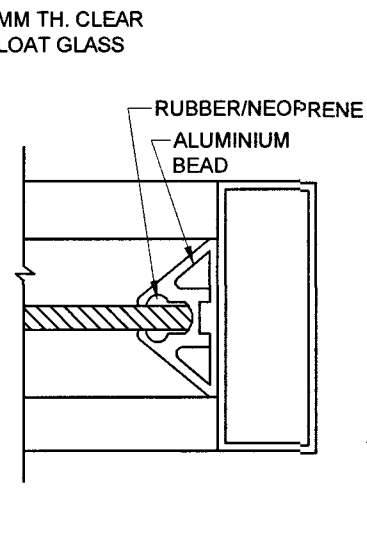
DETAIL AT V



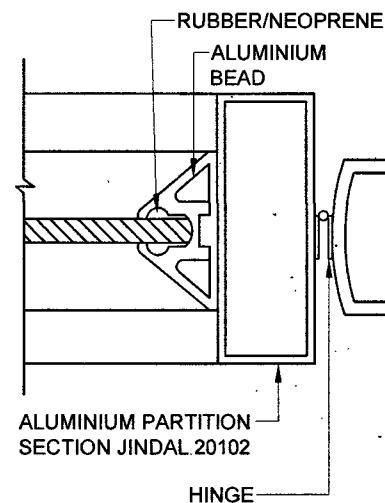
DETAIL AT X



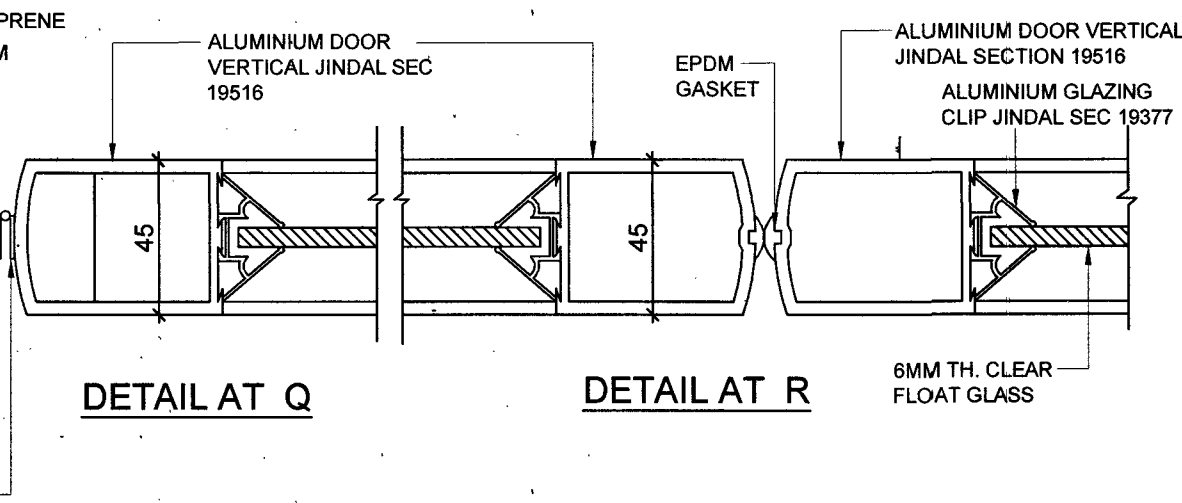
DETAIL AT P



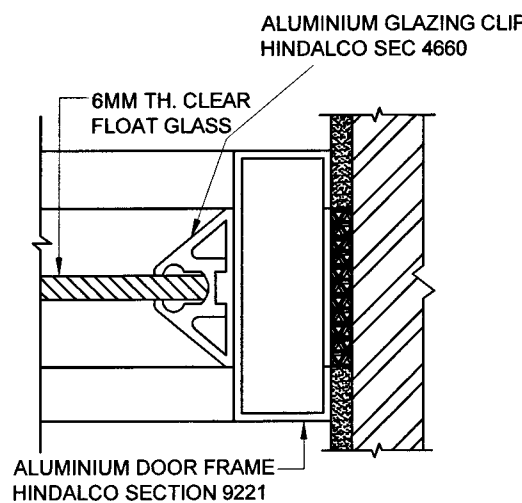
DETAIL AT P I



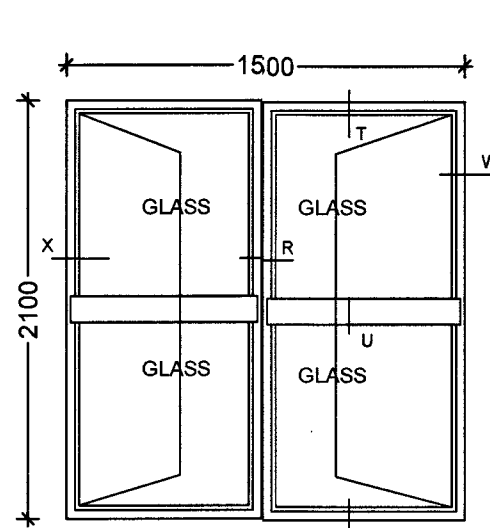
DETAIL AT Q



DETAIL AT R

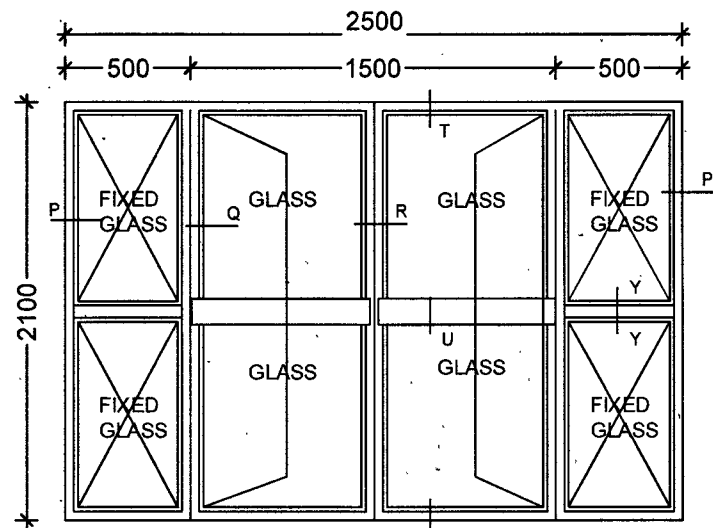


DETAIL AT W



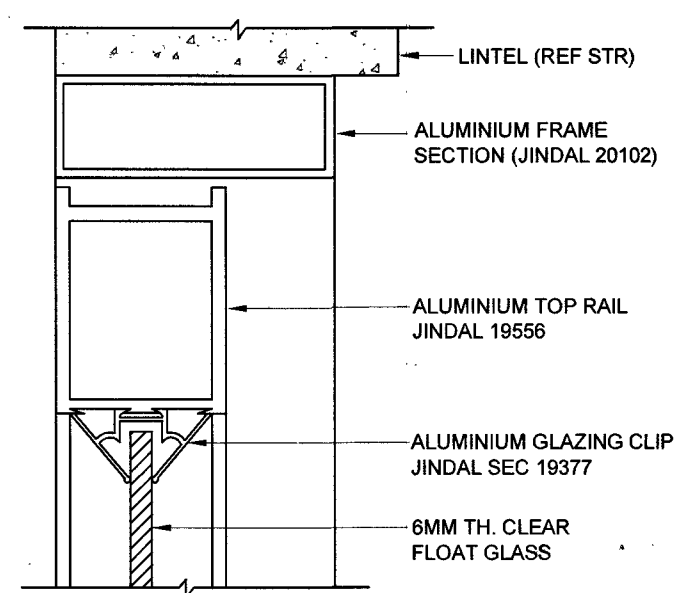
ELEVATION OF ALU DOOR

ALD 15



ELEVATION OF ALU DOOR

ALD W25



DETAIL AT T

NOTES:

- CONTRACTOR TO CHECK AND VERIFY ALL DIMENSIONS BEFORE EXECUTION OF THE WORK.
- ALL DIMENSIONS ARE GIVEN IN MILLIMETERS.
- FIGURE DIMENSIONS SHALL BE FOLLOWED.
- ALL GASKET SHALL BE OF PVC/ RUBBER.
- MINIMUM AVERAGE THICKNESS OF ANODISING (COATING ANODISING) ON ALUMINIUM SECTION CONFIRM TO IS -1868-1986.
- ALL LUG/ HOLD FAST SHALL BE EMBEDDED IN (250XTHICKNESS OF WALL) PCC BLOCK
- FIXING OF FRAMES SHUTTERS SHALL BE AS PER MANUFACTURES INSTRUCTIONS PVC PROTECTED SHEETING SHALL BE USED WHILE FIXING THE FRAME OF DOORS TO AVOID DAMAGES / SCRATCHES ETC.
- ALL GLASS PANEL SHALL BE 6MM THICK FLOAT GLASS CONFIRMING TO IS-UNLESS OTHERWISE SPECIFIED
- TESTING OF ANODISING COATING SHALL BE INACCORDANCE WITH IS-5523-1983.
- ALL FITTING & FIXTURE FOR ALUMINIUM DOORS SHALL BE PROVIDED WITH STANDARD ALUMINIUM HANDLES,STOPPER,HINGES, LOCKING ARRANGEMENT AND OTHER HARDWARE ITEMS. AS PER MANUFACTURER'S INSTRUCTIONS.
- ALL ALUMINIUM SECTIONS SHOWN IN THIS DRAWING ARE OF JINDAL MAKE. EQLT SECTIONS OF HINDALCO MAKE MAY BE PROVIDED.
- AD STANDS FOR ALUMINIUM DOOR AND ADF STANDS FOR ALUMINIUM DOOR WITH FAN LIGHT.

ARCH DRAWINGS PREPARED UNDER CONSULTANCY BY M/S THE DESIGN FACTORY, 293, CHHOTI BARANDARI PART-1, JALANDHAR, PUNJAB. THE SAME ARE SIGNED BY US AS PER E-IN-C'S BRANCH POLICY LETTER NO.08/2017 ISSUED UNDER E2 WORKS (PPC) SUB DTE, DTE OF WORKS, LETTER NO. A/00157/23-1/PP/E2W(PPC) DATED 02 JULY 2017

SL NO	DATE	DESCRIPTION	INITIAL
REVISION			

DETAILS OF ALUMINIUM DOORS

DATE	13/03/2025	CHIEF ENGINEER JALANDHAR ZONE	SHEET NO	
DRAWN			01	
CHKD			01	
SCALE	AS SHOWN	DRG NO : CEJZ / TD-94 / 2025		

CONSULTANT'S: THE DESIGN FACTORY
293 CHHOTI BARANDARI PART 1 - JALANDHAR +91 9876602949 thedesignfactory@gmail.com

[Signature]
DIRECTOR (ARCH) for CHIEF ENGINEER